



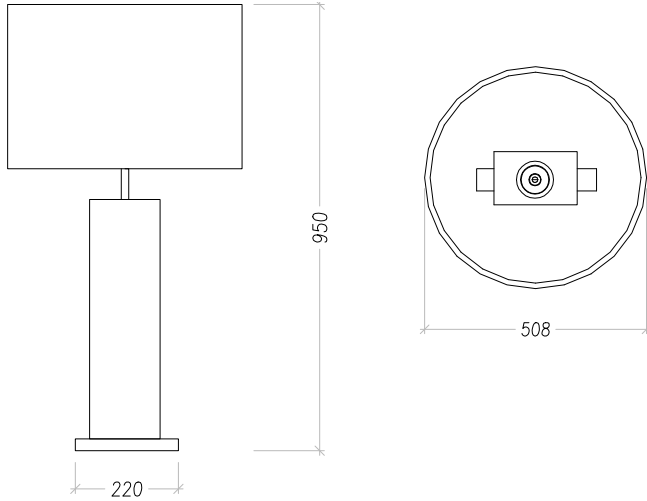
MICHELE BÖNAN
I N T E R I O R S

CONTACT

Limonaia Torrigiani
Via dei serragli 144/146,
50124 Firenze FI Ph. +39 055
0541106
info@michelebonaninteriors.com
michelebonaninteriors.com

AGATHA

CODE: LMP-09



Imposing lamp with base in real agate, available in different colors, and large black fabric or raffia with gold inner lining lampshade.

DIMENSIONS

W: 50 cm / H: 95 cm

FINISHES



BLUE FABRIC



GREEN ONYX

