



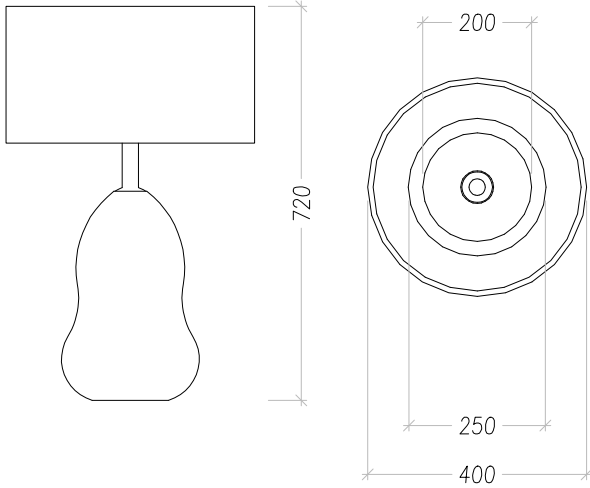
MICHELE BÖNAN  
I N T E R I O R S

CONTACT

Limonaia Torrigiani  
Via dei serragli 144/146,  
50124 Firenze FI Ph. +39 055  
0541106  
info@michelebonaninteriors.com  
michelebonaninteriors.com

# SOMMERSO

CODE: LMP-05



Important lamp with an organic shape in Murano glass, completed by a large raffia lampshade.

DIMENSIONS

W: 40 cm / H: 72 cm

FINISHES



RAFFIA



AMBER GLASS

